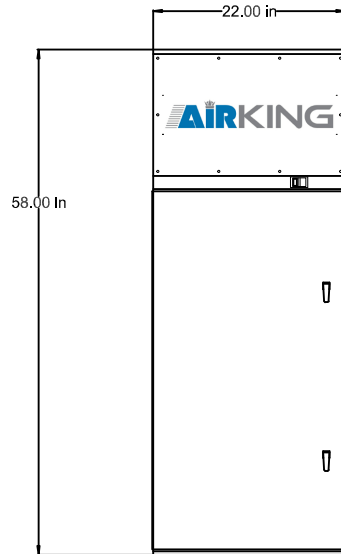
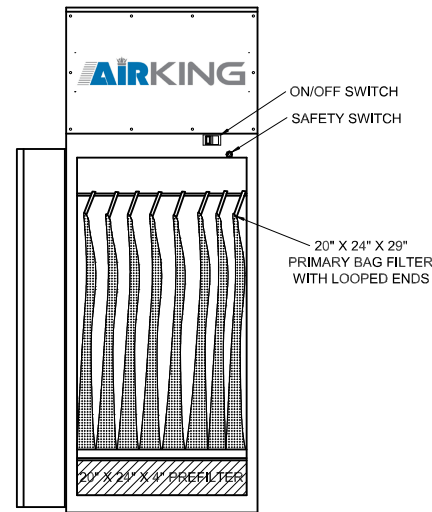


TOP VIEW



FRONT VIEW



FRONT VIEW - DOOR OPEN



SPECIFICATIONS:

DIMENSIONS: 22"W x 58"T x 24"L
 WEIGHT: 185 LBS.
 VOLUME: 2000 CFM
 PRE-FILTER: (1) 20"x24"x4" Pleated (Merv 10) (Optional Aluminum Mesh)
 PRIMARY BAG FILTER: (1) 95%, 30" 8 pocket Bag w/Loops (90 sq ft) (optional 65%)
 MOTOR: 3/4 HP PSC; 115/1/60; 8.7 amps
 POWER: 9' power cord
 BLOWER: 10" x 10" Direct Drive, Single Speed
 CONSTRUCTION/PAINT : 16 GA, Kreg Blue chemical resistant powder coating
 NOISE LEVEL 5' dBA : 62 dBA
 APPLICATION: General

M-VMC (STANDARD)



Air King Filtration, Inc.
 5200 Nordic Drive Suite B
 Cedar Falls, IA 50613
 P: 319.266.5411
 F: 319.277.3304
www.AirKingFiltration.com