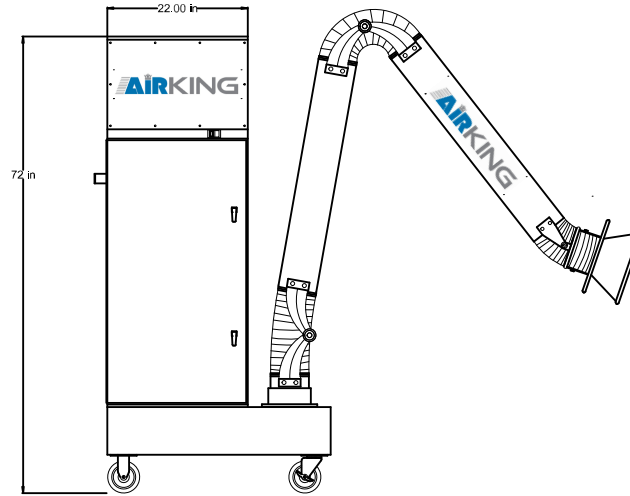
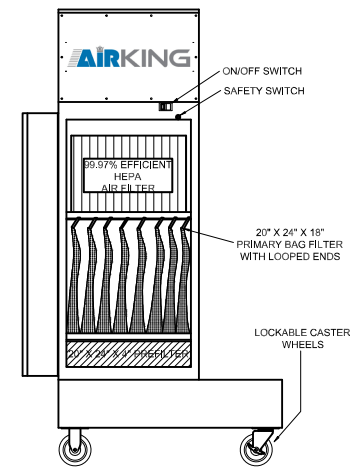


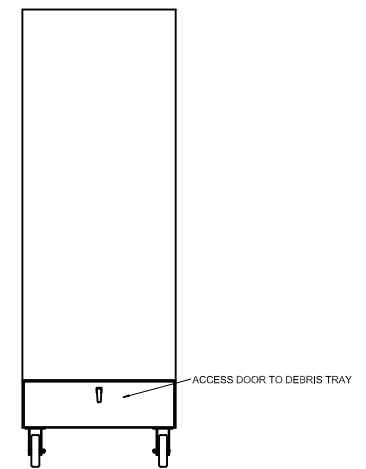
SIDE (BACK) VIEW



FRONT VIEW



FRONT VIEW - DOOR OPEN



SIDE (FRONT) VIEW

SPECIFICATIONS:

DIMENSIONS: 24"W x 72"T x 36"L

WEIGHT: 350 LBS.

VOLUME: 1050 CFM

PRE-FILTER: (1) 20"x24"x4" Aluminum Mesh

PRIMARY FILTER: (1) 95%, 18" 8 pocket Bag w/Loops (48 sq ft) with 99.97% HEPA after filter

MOTOR: 3/4 HP PSC; 115/1/60; 8.7 amps

POWER: 9' power cord

BLOWER: 10" x 10" Direct Drive, Single Speed

CONSTRUCTION/PAINT : 16 GA, Kreg Blue chemical resistant powder coating

ARM: 10' long, 6" diameter, with fully adjustable airflow control damper

INTAKE HOOD: 12" dia., aluminum, powder-coated Yellow, perimeter grab handle

NOISE LEVEL 5' dBA : 62 dBA

APPLICATION: General

M-35PHE (HEPA - ONE ARM)



Air King Filtration, Inc.
5200 Nordic Drive Suite B
Cedar Falls, IA 50613

P: 319.266.5411

F: 319.277.3304

www.AirKingFiltration.com