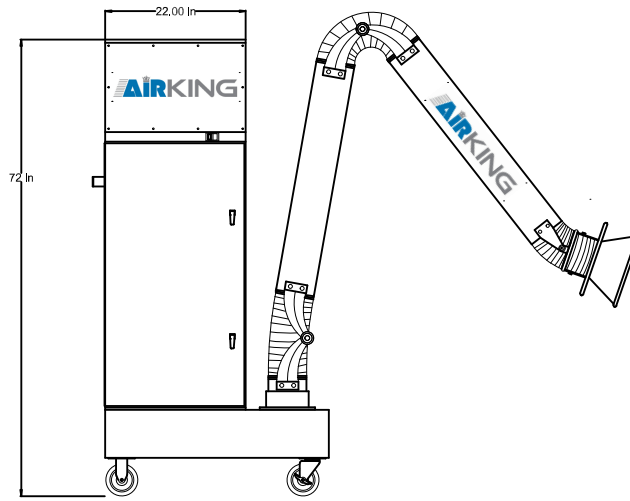
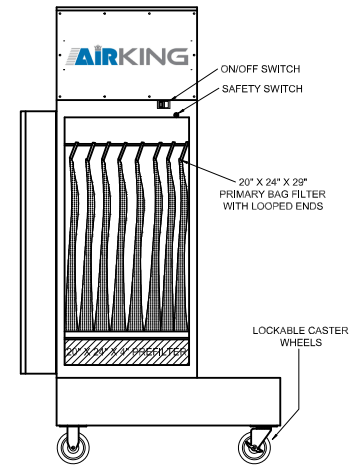


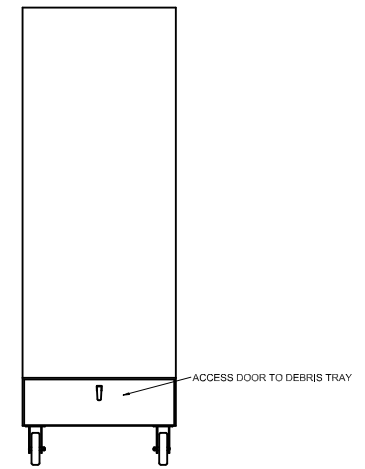
SIDE (BACK) VIEW



FRONT VIEW



FRONT VIEW - DOOR OPEN



SIDE (FRONT) VIEW

SPECIFICATIONS:

DIMENSIONS: 24"W x 72"T x 36"L
 WEIGHT: 350 LBS.
 VOLUME: 1050 CFM
 PRE-FILTER: (1) 20"x24"x4" Aluminum Mesh
 PRIMARY BAG FILTER: (1) 95%, 30" 8 pocket Bag w/Loops (90 sq ft) (optional 65%)
 MOTOR: 3/4 HP PSC; 115/1/60; 8.7 amps
 POWER: 9' power cord
 BLOWER: 10" x 10" Direct Drive, Single Speed
 CONSTRUCTION/PAIN: 16 GA, Kreg Blue chemical resistant powder coating
 ARM: 10' long, 6" diameter, with fully adjustable airflow control damper
 INTAKE HOOD: 12" dia., aluminum, powder-coated Yellow, perimeter grab handle
 NOISE LEVEL 5' dBA : 62 dBA
 APPLICATION: General

M-35P (STANDARD - ONE ARM)



Air King Filtration, Inc.
 5200 Nordic Drive Suite B
 Cedar Falls, IA 50613
 P: 319.266.5411
 F: 319.277.3304
www.AirKingFiltration.com