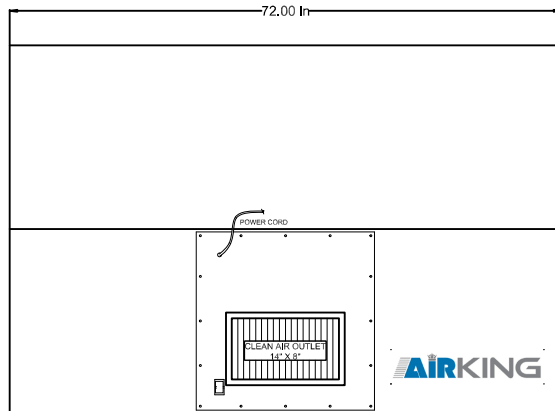
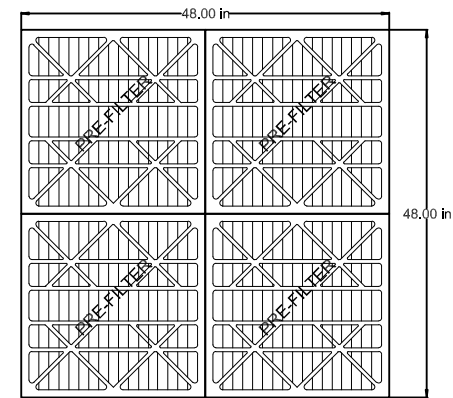
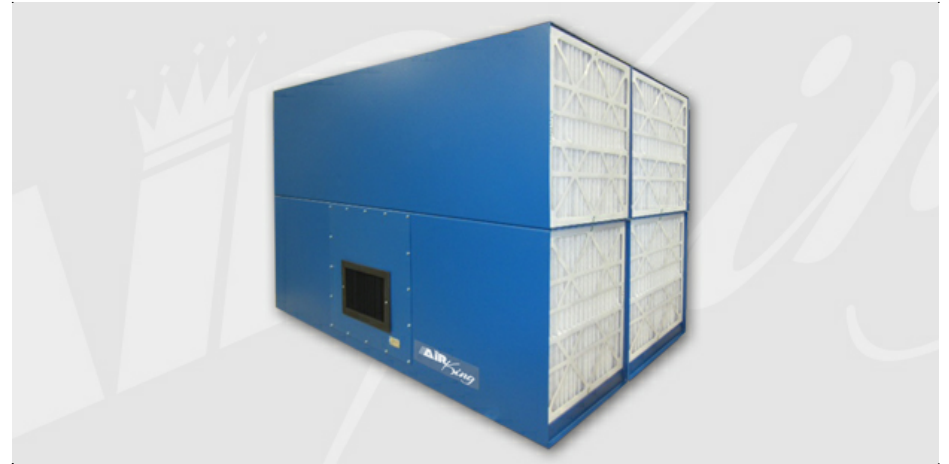


TOP VIEW : CUT-AWAY



FRONT VIEW



SIDE VIEW

SPECIFICATIONS:

DIMENSIONS: 48"W x 48"T x 72"L
 WEIGHT: 480 LBS.
 PRE-FILTER: (8) 24"x24"x4" Pleated (Merv 10)
 PRIMARY BAG FILTER: (8) 65%, 21" 8 pocket Bags (520 sq ft) (Optional 95%)
 VOLUME: 3200 CFM
 MOTOR: 3/4 HP PSC; 115/1/60; 10.2 amps
 POWER: 10' power cord
 BLOWER: 10" x 10" Direct Drive, Two Speed
 CONSTRUCTION/PAINT : 16 GA, River Blue chemical resistant powder coating
 NOISE LEVEL 5' dBA : 62 dBA
 APPLICATION: General

M-32HD (2 DEEP, 2 HIGH)



Air King Filtration, Inc.
 5200 Nordic Drive Suite B
 Cedar Falls, IA 50613
 P: 319.266.5411
 F: 319.277.3304
www.AirKingFiltration.com