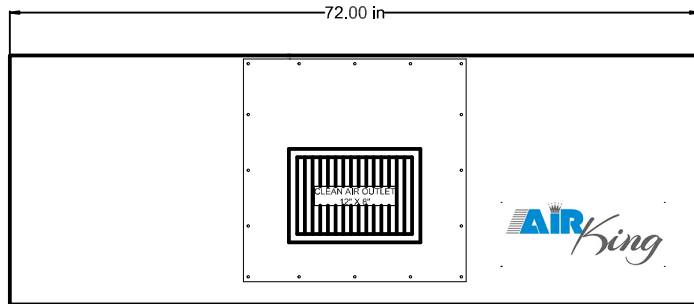
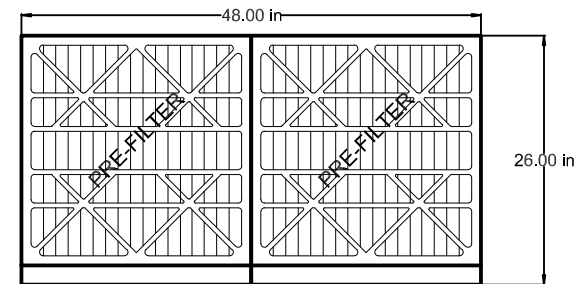


TOP VIEW : CUT-AWAY



FRONT VIEW



SIDE VIEW

SPECIFICATIONS:

DIMENSIONS: 48"W x 26"T x 72"L

WEIGHT: 435 LBS.

VOLUME: 4000 CFM

PRE-FILTER: (4) 24"x24"x4" Pleated (Merv 8)

PRIMARY BAG FILTER: (4) 65%, 21" 8 pocket Bags (236 sq ft) (Optional 95%)

MOTOR: 2HP TEFC; 208-230/460/3/60; 6.0-5.8/2.9 amps

BLOWER: 11" x 8" Belt Drive, Single Speed

CONSTRUCTION/PAINT : 16 GA, River Blue chemical resistant powder coating

NOISE LEVEL 5' dBA : 72 dBA

APPLICATION: General

M-40H (2 DEEP, 1 HIGH)



Iowa Distributing Co., Inc.
 5200 Nordic Drive Suite B
 Cedar Falls, IA 50613
 P: 319.266.5411
 F: 319.277.3304
www.AirKingFiltration.com