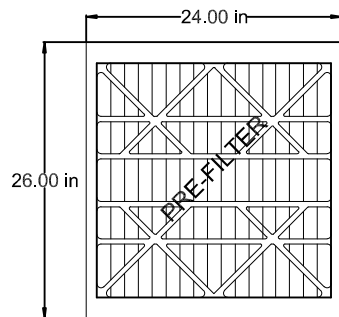
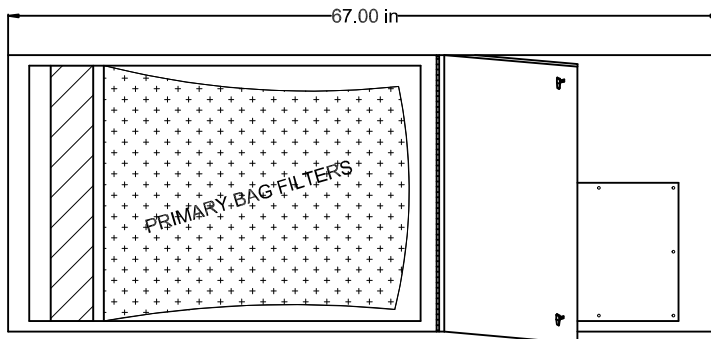


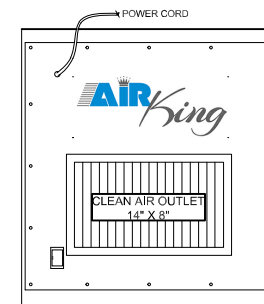
TOP VIEW : CUT-AWAY



BACK / INTAKE VIEW



SIDE VIEW
(FILTER ACCESS DOOR OPEN)



FRONT VIEW

SPECIFICATIONS:

- DIMENSIONS: 24"W x 26"T x 67"L
- WEIGHT: 190 LBS.
- VOLUME: 2500 CFM
- PRE-FILTER: (1) 24"x24"x4" Pleated (Merv 8)
- PRIMARY BAG FILTER: (1) 65%, 36" 8 pocket Bags (Optional 95%)
- MOTOR: 3/4 HP PSC; 115/1/60; 10.2 amps
- POWER: 10' power cord
- BLOWER: 10" x 10" Direct Drive, Two Speed
- CONSTRUCTION/PAINT : 16 GA, River Blue chemical resistant powder coating
- NOISE LEVEL 5' dBA : 62 dBA
- APPLICATION: General

M-25D (STANDARD)



Iowa Distributing Co., Inc.
 5200 Nordic Drive Suite B
 Cedar Falls, IA 50613
 P: 319.266.5411
 F: 319.277.3304
 www.AirKingFiltration.com